

PROJECT	_____
TYPE	_____
SPECIFIER	_____
QUANTITY	_____
DATE	_____

MECHANIQ SQUARE COMFORT DOUBLE TRIMLESS

A35031-

base number	LED Dimming	Color Temperature	Finishes (Diamond)	Finishes (Triangle)	Finishes (Circle)	Ceiling Thickness
-------------	-------------	-------------------	--------------------	---------------------	-------------------	-------------------

- To build a product code in our configurator select the specify button on the base model # product page
- To build a manual product code on this datasheet choose from the options listed below in blue font and add the suffix to the base model #

GENERAL

Series: Mechaniq Square Comfort
 Subseries: Mechaniq Square Comfort Double
 Brand: Prolight
 Division: Architectural
 Mounting Type: Trimless
 Mounting Location: Ceiling
 Subcategory: Downlight

PHYSICAL

Shape: Rectangle
 Diameter (mm): 144
 Diameter (in): 5 11/16
 Length (mm): 347
 Length (in): 13 11/16
 Width (mm): 166
 Width (in): 6 9/16
 Height (mm): 180
 Height (in): 7 1/16
 Ceiling Thickness (mm): 10 / 12.5 / 15 / 25
 Ceiling Thickness (in): 3/8 or 1/2 or 9/16 or 1
 Min. Recessing Depth (mm): 200
 Min. Recessing Depth (in): 7 7/8
 Light Distribution: Downlight
 Weight (kg): 3.944
 Weight (lbs): 8.70
 Fixture Finish: SSR / BKV / CWI / CRY / HAB / LAG / UFT / ITA / RUA / RUR / MIC / FTG / MYG / TWT / LOD / PUS / FRO / FUP / KIA / POP / BLS / SPG / MEY / GOH / GUM / CHC / COM / ABZ / JAG / OBR / MOS / ROR
 Fixture Material: Aluminum Die Cast
 Cut-out Measurements: 350mm / 13 3/4" x 185mm / 7 5/16"
 Upon Request: Unique Ceiling Thickness

ELECTRICAL

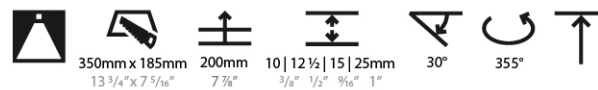
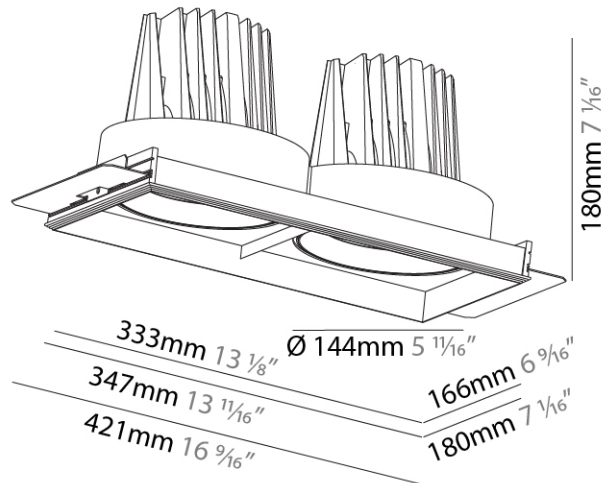
Lamp Type: LED (Zhaga Standard)
 Input Wattage (W): 46.3
 Total Output Wattage (W): 42
 Dimming: Tri-Mode (Non-Dimming and Phase Dimming (120Vac only) and 0-10V Dimming)
 Driver Included: Yes
 Driver Location: Recessed Housing
 Driver Type: Constant Current - Universal
 Driver Class: Class 2
 Housing: See components
 Input Voltage (V): 120 - 277
 Constant Current (MA): 700

LED

Number of LEDs: 2
 Color Temperature (°K): 2700 / 3000 / 3500 / 4000
 Max. Delivered Lumen (lm): 2870 / 2980 / 3136 / 3200
 Nominal Lumen (lm): 3330lm
 CRI: >90 CRI
 Lamp Life (hrs): 50000
 Upon Request: Special Color Temperature RGB-W Tunable White Special LED

OPTICAL

Reflector²: 8
 Adjustability: Rotational 355°; Tilt 30°
 Upon Request: Special Beam Angles



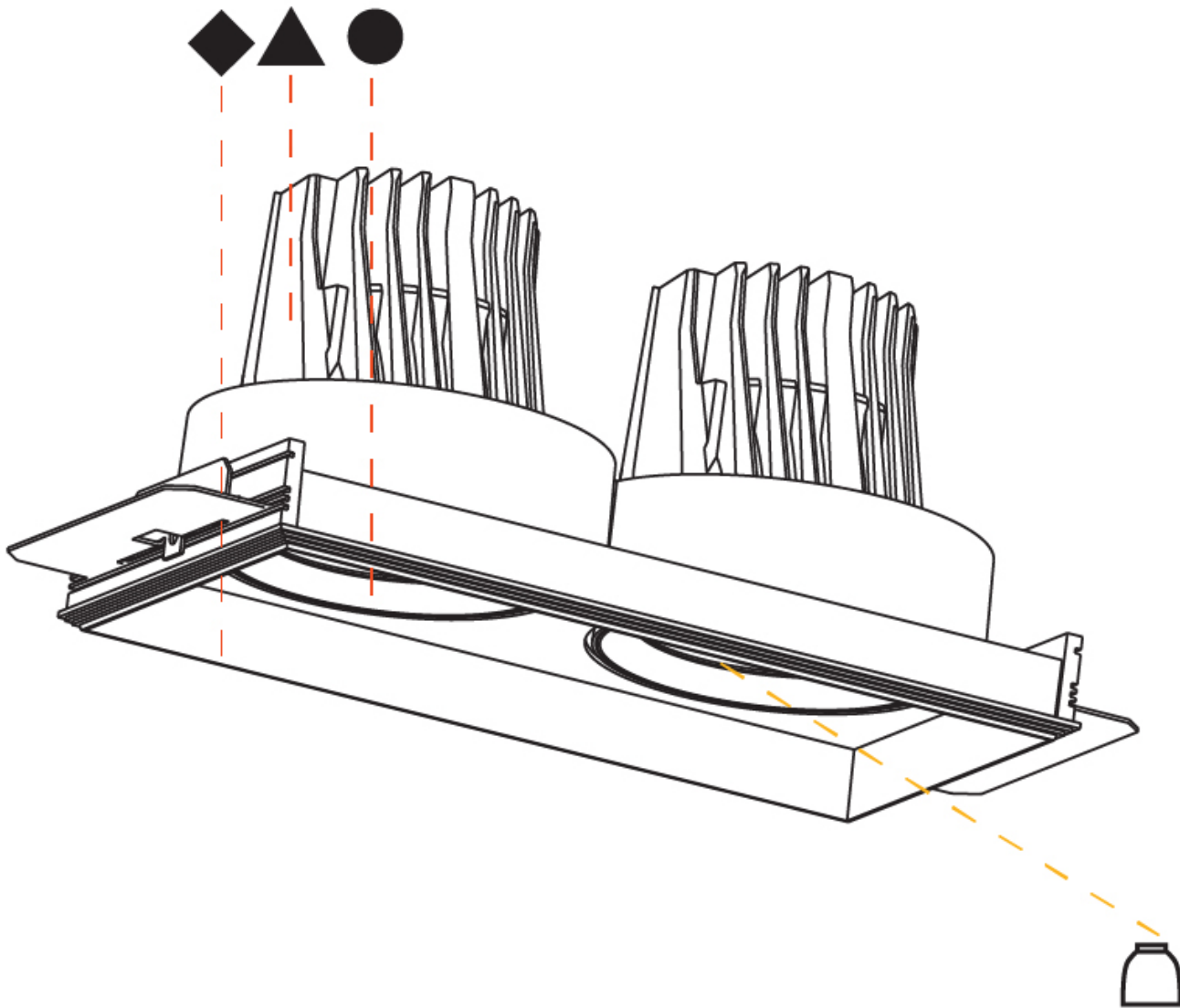
RATINGS AND CERTIFICATIONS
 © 2024 Zaneen Lighting, Inc. 1-800-888-3382, F 416-247-9319, www.zaneen.com

Available for International specifications by adding "INT" at the end of the existing Model #. For assistance on 'custom' specifications, contact zteam@zaneen.com.
 In a constant effort to supply the best product, we reserve the right to change specifications or materials without notice. The most recent specification sheets are found at zaneen.com
 IP rating: IP44

MECHANIQ SQUARE COMFORT DOUBLE TRIMLESS

A35031-

PROJECT	_____
TYPE	_____
SPECIFIER	_____
QUANTITY	_____
DATE	_____



A

PROJECT	
TYPE	
SPECIFIER	
QUANTITY	
DATE	

MECHANIQ SQUARE COMFORT DOUBLE TRIMLESS

A35034-

base number	LED Dimming	Color Temperature	Finishes (Diamond)	Finishes (Triangle)	Finishes (Circle)	Ceiling Thickness	Reflector Options
-------------	-------------	-------------------	--------------------	---------------------	-------------------	-------------------	-------------------

- To build a product code in our configurator select the specify button on the base model # product page
- To build a manual product code on this datasheet choose from the options listed below in blue font and add the suffix to the base model #

GENERAL

Series: Mechaniq Square Comfort
 Subseries: Mechaniq Square Comfort Double
 Brand: Prolicht
 Division: Architectural
 Mounting Type: Trimless
 Mounting Location: Ceiling
 Subcategory: Downlight

PHYSICAL

Shape: Rectangle
 Diameter (mm): 144
 Diameter (in): 5 11/16
 Length (mm): 347
 Length (in): 13 11/16
 Width (mm): 168
 Width (in): 6 5/8
 Height (mm): 180
 Height (in): 7 1/16
 Ceiling Thickness (mm): 10 / 12.5 / 15 / 25
 Ceiling Thickness (in): 3/8 or 1/2 or 9/16 or 1
 Min. Recessing Depth (mm): 200
 Min. Recessing Depth (in): 7 7/8
 Light Distribution: Downlight
 Weight (kg): 3.944
 Weight (lbs): 8.70

Fixture Finish: SSR / BKV / CWI / CRY / HAB / LAG / UFT / ITA / RUA / RUR / MIC / FTG / MYG / TWT / LOD / PUS / FRO / FUP / KIA / POP / BLS / SPG / MEY / GOH / GUM / CHC / COM / ABZ / JAG / OBR / MOS / ROR

Fixture Material: Aluminum Die Cast
 Cut-out Measurements: 350mm x 185mm
 Upon Request: Unique Ceiling Thickness

ELECTRICAL

Lamp Type: LED (Zhaga Standard)
 Input Wattage (W): 93.4
 Total Output Wattage (W): 83.8
 Dimming: Tri-Mode (Non-Dimming and Phase Dimming (120Vac only) and 0-10V Dimming)
 Driver Included: Yes
 Driver Location: Recessed Housing
 Driver Type: Constant Current - Universal
 Driver Class: Class 2
 Housing: See components
 Input Voltage (V): 120 - 277
 Constant Current (MA): 1050

LED

Number of LEDs: 2
 Color Temperature (°K): 2700 / 3000 / 3500 / 4000
 Max. Delivered Lumen (lm): 8070 / 8260 / 8673 / 8850
 CRI: >90 CRI
 Lamp Life (hrs): 50000
 Upon Request: Special Color Temperature RGB-W Tunable White Special LED

OPTICAL

Reflector: 12 / 24 / 40
 Upon Request: Special Beam Angles

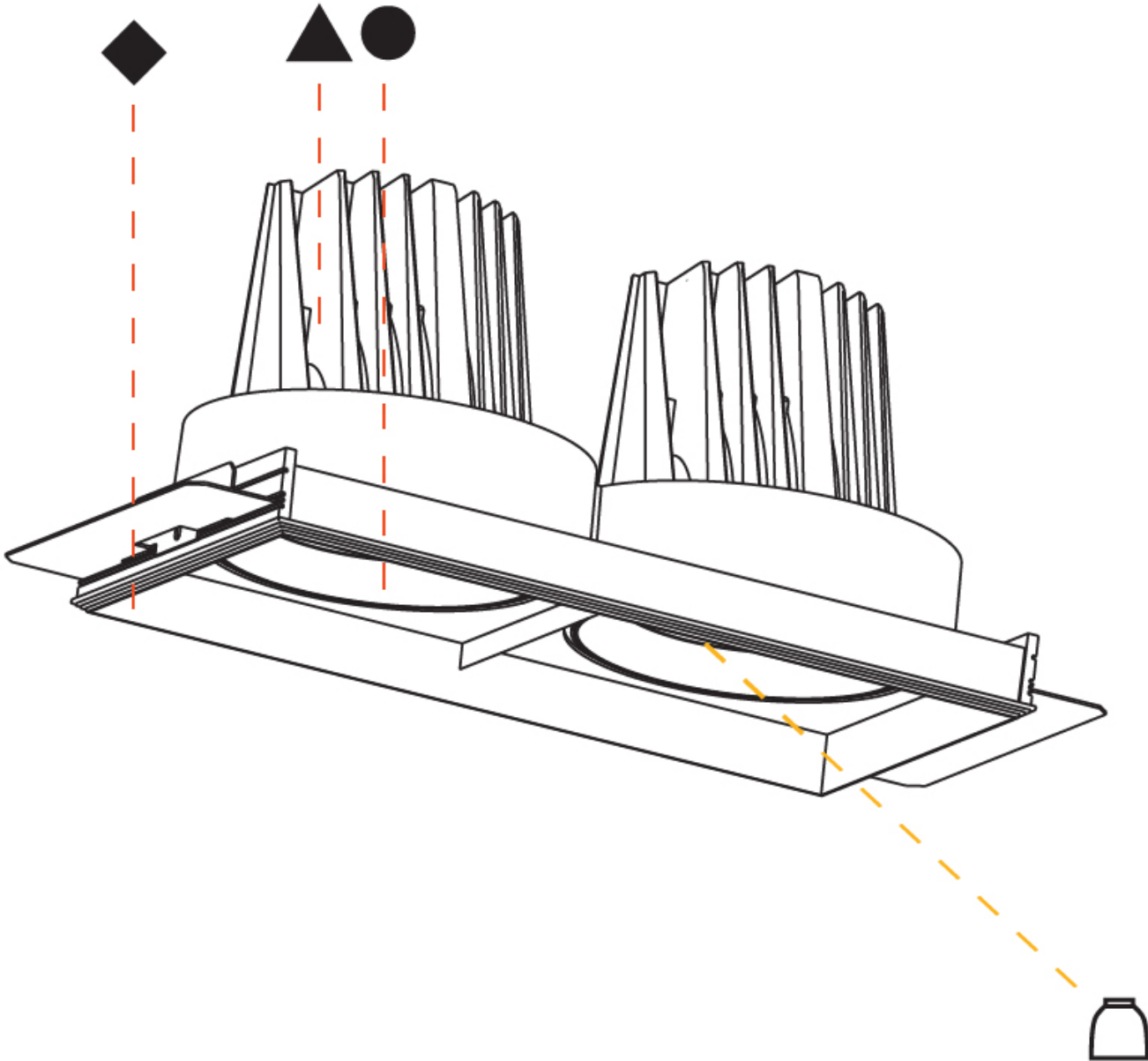
RATINGS AND CERTIFICATIONS

UL Listed, ETL Listed, CE, FCC, RoHS, Energy Star, IESNA, IEC, IEC 60598-2-22, IEC 60598-2-23, IEC 60598-2-24, IEC 60598-2-25, IEC 60598-2-26, IEC 60598-2-27, IEC 60598-2-28, IEC 60598-2-29, IEC 60598-2-30, IEC 60598-2-31, IEC 60598-2-32, IEC 60598-2-33, IEC 60598-2-34, IEC 60598-2-35, IEC 60598-2-36, IEC 60598-2-37, IEC 60598-2-38, IEC 60598-2-39, IEC 60598-2-40, IEC 60598-2-41, IEC 60598-2-42, IEC 60598-2-43, IEC 60598-2-44, IEC 60598-2-45, IEC 60598-2-46, IEC 60598-2-47, IEC 60598-2-48, IEC 60598-2-49, IEC 60598-2-50, IEC 60598-2-51, IEC 60598-2-52, IEC 60598-2-53, IEC 60598-2-54, IEC 60598-2-55, IEC 60598-2-56, IEC 60598-2-57, IEC 60598-2-58, IEC 60598-2-59, IEC 60598-2-60, IEC 60598-2-61, IEC 60598-2-62, IEC 60598-2-63, IEC 60598-2-64, IEC 60598-2-65, IEC 60598-2-66, IEC 60598-2-67, IEC 60598-2-68, IEC 60598-2-69, IEC 60598-2-70, IEC 60598-2-71, IEC 60598-2-72, IEC 60598-2-73, IEC 60598-2-74, IEC 60598-2-75, IEC 60598-2-76, IEC 60598-2-77, IEC 60598-2-78, IEC 60598-2-79, IEC 60598-2-80, IEC 60598-2-81, IEC 60598-2-82, IEC 60598-2-83, IEC 60598-2-84, IEC 60598-2-85, IEC 60598-2-86, IEC 60598-2-87, IEC 60598-2-88, IEC 60598-2-89, IEC 60598-2-90, IEC 60598-2-91, IEC 60598-2-92, IEC 60598-2-93, IEC 60598-2-94, IEC 60598-2-95, IEC 60598-2-96, IEC 60598-2-97, IEC 60598-2-98, IEC 60598-2-99, IEC 60598-2-100, IEC 60598-2-101, IEC 60598-2-102, IEC 60598-2-103, IEC 60598-2-104, IEC 60598-2-105, IEC 60598-2-106, IEC 60598-2-107, IEC 60598-2-108, IEC 60598-2-109, IEC 60598-2-110, IEC 60598-2-111, IEC 60598-2-112, IEC 60598-2-113, IEC 60598-2-114, IEC 60598-2-115, IEC 60598-2-116, IEC 60598-2-117, IEC 60598-2-118, IEC 60598-2-119, IEC 60598-2-120, IEC 60598-2-121, IEC 60598-2-122, IEC 60598-2-123, IEC 60598-2-124, IEC 60598-2-125, IEC 60598-2-126, IEC 60598-2-127, IEC 60598-2-128, IEC 60598-2-129, IEC 60598-2-130, IEC 60598-2-131, IEC 60598-2-132, IEC 60598-2-133, IEC 60598-2-134, IEC 60598-2-135, IEC 60598-2-136, IEC 60598-2-137, IEC 60598-2-138, IEC 60598-2-139, IEC 60598-2-140, IEC 60598-2-141, IEC 60598-2-142, IEC 60598-2-143, IEC 60598-2-144, IEC 60598-2-145, IEC 60598-2-146, IEC 60598-2-147, IEC 60598-2-148, IEC 60598-2-149, IEC 60598-2-150, IEC 60598-2-151, IEC 60598-2-152, IEC 60598-2-153, IEC 60598-2-154, IEC 60598-2-155, IEC 60598-2-156, IEC 60598-2-157, IEC 60598-2-158, IEC 60598-2-159, IEC 60598-2-160, IEC 60598-2-161, IEC 60598-2-162, IEC 60598-2-163, IEC 60598-2-164, IEC 60598-2-165, IEC 60598-2-166, IEC 60598-2-167, IEC 60598-2-168, IEC 60598-2-169, IEC 60598-2-170, IEC 60598-2-171, IEC 60598-2-172, IEC 60598-2-173, IEC 60598-2-174, IEC 60598-2-175, IEC 60598-2-176, IEC 60598-2-177, IEC 60598-2-178, IEC 60598-2-179, IEC 60598-2-180, IEC 60598-2-181, IEC 60598-2-182, IEC 60598-2-183, IEC 60598-2-184, IEC 60598-2-185, IEC 60598-2-186, IEC 60598-2-187, IEC 60598-2-188, IEC 60598-2-189, IEC 60598-2-190, IEC 60598-2-191, IEC 60598-2-192, IEC 60598-2-193, IEC 60598-2-194, IEC 60598-2-195, IEC 60598-2-196, IEC 60598-2-197, IEC 60598-2-198, IEC 60598-2-199, IEC 60598-2-200, IEC 60598-2-201, IEC 60598-2-202, IEC 60598-2-203, IEC 60598-2-204, IEC 60598-2-205, IEC 60598-2-206, IEC 60598-2-207, IEC 60598-2-208, IEC 60598-2-209, IEC 60598-2-210, IEC 60598-2-211, IEC 60598-2-212, IEC 60598-2-213, IEC 60598-2-214, IEC 60598-2-215, IEC 60598-2-216, IEC 60598-2-217, IEC 60598-2-218, IEC 60598-2-219, IEC 60598-2-220, IEC 60598-2-221, IEC 60598-2-222, IEC 60598-2-223, IEC 60598-2-224, IEC 60598-2-225, IEC 60598-2-226, IEC 60598-2-227, IEC 60598-2-228, IEC 60598-2-229, IEC 60598-2-230, IEC 60598-2-231, IEC 60598-2-232, IEC 60598-2-233, IEC 60598-2-234, IEC 60598-2-235, IEC 60598-2-236, IEC 60598-2-237, IEC 60598-2-238, IEC 60598-2-239, IEC 60598-2-240, IEC 60598-2-241, IEC 60598-2-242, IEC 60598-2-243, IEC 60598-2-244, IEC 60598-2-245, IEC 60598-2-246, IEC 60598-2-247, IEC 60598-2-248, IEC 60598-2-249, IEC 60598-2-250, IEC 60598-2-251, IEC 60598-2-252, IEC 60598-2-253, IEC 60598-2-254, IEC 60598-2-255, IEC 60598-2-256, IEC 60598-2-257, IEC 60598-2-258, IEC 60598-2-259, IEC 60598-2-260, IEC 60598-2-261, IEC 60598-2-262, IEC 60598-2-263, IEC 60598-2-264, IEC 60598-2-265, IEC 60598-2-266, IEC 60598-2-267, IEC 60598-2-268, IEC 60598-2-269, IEC 60598-2-270, IEC 60598-2-271, IEC 60598-2-272, IEC 60598-2-273, IEC 60598-2-274, IEC 60598-2-275, IEC 60598-2-276, IEC 60598-2-277, IEC 60598-2-278, IEC 60598-2-279, IEC 60598-2-280, IEC 60598-2-281, IEC 60598-2-282, IEC 60598-2-283, IEC 60598-2-284, IEC 60598-2-285, IEC 60598-2-286, IEC 60598-2-287, IEC 60598-2-288, IEC 60598-2-289, IEC 60598-2-290, IEC 60598-2-291, IEC 60598-2-292, IEC 60598-2-293, IEC 60598-2-294, IEC 60598-2-295, IEC 60598-2-296, IEC 60598-2-297, IEC 60598-2-298, IEC 60598-2-299, IEC 60598-2-300, IEC 60598-2-301, IEC 60598-2-302, IEC 60598-2-303, IEC 60598-2-304, IEC 60598-2-305, IEC 60598-2-306, IEC 60598-2-307, IEC 60598-2-308, IEC 60598-2-309, IEC 60598-2-310, IEC 60598-2-311, IEC 60598-2-312, IEC 60598-2-313, IEC 60598-2-314, IEC 60598-2-315, IEC 60598-2-316, IEC 60598-2-317, IEC 60598-2-318, IEC 60598-2-319, IEC 60598-2-320, IEC 60598-2-321, IEC 60598-2-322, IEC 60598-2-323, IEC 60598-2-324, IEC 60598-2-325, IEC 60598-2-326, IEC 60598-2-327, IEC 60598-2-328, IEC 60598-2-329, IEC 60598-2-330, IEC 60598-2-331, IEC 60598-2-332, IEC 60598-2-333, IEC 60598-2-334, IEC 60598-2-335, IEC 60598-2-336, IEC 60598-2-337, IEC 60598-2-338, IEC 60598-2-339, IEC 60598-2-340, IEC 60598-2-341, IEC 60598-2-342, IEC 60598-2-343, IEC 60598-2-344, IEC 60598-2-345, IEC 60598-2-346, IEC 60598-2-347, IEC 60598-2-348, IEC 60598-2-349, IEC 60598-2-350, IEC 60598-2-351, IEC 60598-2-352, IEC 60598-2-353, IEC 60598-2-354, IEC 60598-2-355, IEC 60598-2-356, IEC 60598-2-357, IEC 60598-2-358, IEC 60598-2-359, IEC 60598-2-360, IEC 60598-2-361, IEC 60598-2-362, IEC 60598-2-363, IEC 60598-2-364, IEC 60598-2-365, IEC 60598-2-366, IEC 60598-2-367, IEC 60598-2-368, IEC 60598-2-369, IEC 60598-2-370, IEC 60598-2-371, IEC 60598-2-372, IEC 60598-2-373, IEC 60598-2-374, IEC 60598-2-375, IEC 60598-2-376, IEC 60598-2-377, IEC 60598-2-378, IEC 60598-2-379, IEC 60598-2-380, IEC 60598-2-381, IEC 60598-2-382, IEC 60598-2-383, IEC 60598-2-384, IEC 60598-2-385, IEC 60598-2-386, IEC 60598-2-387, IEC 60598-2-388, IEC 60598-2-389, IEC 60598-2-390, IEC 60598-2-391, IEC 60598-2-392, IEC 60598-2-393, IEC 60598-2-394, IEC 60598-2-395, IEC 60598-2-396, IEC 60598-2-397, IEC 60598-2-398, IEC 60598-2-399, IEC 60598-2-400, IEC 60598-2-401, IEC 60598-2-402, IEC 60598-2-403, IEC 60598-2-404, IEC 60598-2-405, IEC 60598-2-406, IEC 60598-2-407, IEC 60598-2-408, IEC 60598-2-409, IEC 60598-2-410, IEC 60598-2-411, IEC 60598-2-412, IEC 60598-2-413, IEC 60598-2-414, IEC 60598-2-415, IEC 60598-2-416, IEC 60598-2-417, IEC 60598-2-418, IEC 60598-2-419, IEC 60598-2-420, IEC 60598-2-421, IEC 60598-2-422, IEC 60598-2-423, IEC 60598-2-424, IEC 60598-2-425, IEC 60598-2-426, IEC 60598-2-427, IEC 60598-2-428, IEC 60598-2-429, IEC 60598-2-430, IEC 60598-2-431, IEC 60598-2-432, IEC 60598-2-433, IEC 60598-2-434, IEC 60598-2-435, IEC 60598-2-436, IEC 60598-2-437, IEC 60598-2-438, IEC 60598-2-439, IEC 60598-2-440, IEC 60598-2-441, IEC 60598-2-442, IEC 60598-2-443, IEC 60598-2-444, IEC 60598-2-445, IEC 60598-2-446, IEC 60598-2-447, IEC 60598-2-448, IEC 60598-2-449, IEC 60598-2-450, IEC 60598-2-451, IEC 60598-2-452, IEC 60598-2-453, IEC 60598-2-454, IEC 60598-2-455, IEC 60598-2-456, IEC 60598-2-457, IEC 60598-2-458, IEC 60598-2-459, IEC 60598-2-460, IEC 60598-2-461, IEC 60598-2-462, IEC 60598-2-463, IEC 60598-2-464, IEC 60598-2-465, IEC 60598-2-466, IEC 60598-2-467, IEC 60598-2-468, IEC 60598-2-469, IEC 60598-2-470, IEC 60598-2-471, IEC 60598-2-472, IEC 60598-2-473, IEC 60598-2-474, IEC 60598-2-475, IEC 60598-2-476, IEC 60598-2-477, IEC 60598-2-478, IEC 60598-2-479, IEC 60598-2-480, IEC 60598-2-481, IEC 60598-2-482, IEC 60598-2-483, IEC 60598-2-484, IEC 60598-2-485, IEC 60598-2-486, IEC 60598-2-487, IEC 60598-2-488, IEC 60598-2-489, IEC 60598-2-490, IEC 60598-2-491, IEC 60598-2-492, IEC 60598-2-493, IEC 60598-2-494, IEC 60598-2-495, IEC 60598-2-496, IEC 60598-2-497, IEC 60598-2-498, IEC 60598-2-499, IEC 60598-2-500, IEC 60598-2-501, IEC 60598-2-502, IEC 60598-2-503, IEC 60598-2-504, IEC 60598-2-505, IEC 60598-2-506, IEC 60598-2-507, IEC 60598-2-508, IEC 60598-2-509, IEC 60598-2-510, IEC 60598-2-511, IEC 60598-2-512, IEC 60598-2-513, IEC 60598-2-514, IEC 60598-2-515, IEC 60598-2-516, IEC 60598-2-517, IEC 60598-2-518, IEC 60598-2-519, IEC 60598-2-520, IEC 60598-2-521, IEC 60598-2-522, IEC 60598-2-523, IEC 60598-2-524, IEC 60598-2-525, IEC 60598-2-526, IEC 60598-2-527, IEC 60598-2-528, IEC 60598-2-529, IEC 60598-2-530, IEC 60598-2-531, IEC 60598-2-532, IEC 60598-2-533, IEC 60598-2-534, IEC 60598-2-535, IEC 60598-2-536, IEC 60598-2-537, IEC 60598-2-538, IEC 60598-2-539, IEC 60598-2-540, IEC 60598-2-541, IEC 60598-2-542, IEC 60598-2-543, IEC 60598-2-544, IEC 60598-2-545, IEC 60598-2-546, IEC 60598-2-547, IEC 60598-2-548, IEC 60598-2-549, IEC 60598-2-550, IEC 60598-2-551, IEC 60598-2-552, IEC 60598-2-553, IEC 60598-2-554, IEC 60598-2-555, IEC 60598-2-556, IEC 60598-2-557, IEC 60598-2-558, IEC 60598-2-559, IEC 60598-2-560, IEC 60598-2-561, IEC 60598-2-562, IEC 60598-2-563, IEC 60598-2-564, IEC 60598-2-565, IEC 60598-2-566, IEC 60598-2-567, IEC 60598-2-568, IEC 60598-2-569, IEC 60598-2-570, IEC 60598-2-571, IEC 60598-2-572, IEC 60598-2-573, IEC 60598-2-574, IEC 60598-2-575, IEC 60598-2-576, IEC 60598-2-577, IEC 60598-2-578, IEC 60598-2-579, IEC 60598-2-580, IEC 60598-2-581, IEC 60598-2-582, IEC 60598-2-583, IEC 60598-2-584, IEC 60598-2-585, IEC 60598-2-586, IEC 60598-2-587, IEC 60598-2-588, IEC 60598-2-589, IEC 60598-2-590, IEC 60598-2-591, IEC 60598-2-592, IEC 60598-2-593, IEC 60598-2-594, IEC 60598-2-595, IEC 60598-2-596, IEC 60598-2-597, IEC 60598-2-598, IEC 60598-2-599, IEC 60598-2-600, IEC 60598-2-601, IEC 60598-2-602, IEC 60598-2-603, IEC 60598-2-604, IEC 60598-2-605, IEC 60598-2-606, IEC 60598-2-607, IEC 60598-2-608, IEC 60598-2-609, IEC 60598-2-610, IEC 60598-2-611, IEC 60598-2-612, IEC 60598-2-613, IEC 60598-2-614, IEC 60598-2-615, IEC 60598-2-616, IEC 60598-2-617, IEC 60598-2-618, IEC 60598-2-619, IEC 60598-2-620, IEC 60598-2-621, IEC 60598-2-622, IEC 60598-2-623, IEC 60598-2-624, IEC 60598-2-625, IEC 60598-2-626, IEC 60598-2-627, IEC 60598-2-628, IEC 60598-2-629, IEC 60598-2-630, IEC 60598-2-631, IEC 60598-2-632, IEC 60598-2-633, IEC 60598-2-634, IEC 60598-2-635, IEC 60598-2-636, IEC 60598-2-637, IEC 60598-2-638, IEC 60598-2-639, IEC 60598-2-640, IEC 60598-2-641, IEC 60598-2-642, IEC 60598-2-643, IEC 60598-2-644, IEC 60598-2-645, IEC 60598-2-646, IEC 60598-2-647, IEC 60598-2-648, IEC 60598-2-649, IEC 60598-2-650, IEC 60598-2-651, IEC 60598-2-652, IEC 60598-2-653, IEC 60598-2-654, IEC 60598-2-655, IEC 60598-2-656, IEC 60598-2-657, IEC 60598-2-658, IEC 60598-2-659, IEC 60598-2-660, IEC 60598-2-661, IEC 60598-2-662, IEC 60598-2-663, IEC 60598-2-664, IEC 60598-2-665, IEC 60598-2-666, IEC 60598-2-667, IEC 60598-2-668, IEC 60598-2-669, IEC 60598-2-670, IEC 60598-2-671, IEC 60598-2-672, IEC 60598-2-673, IEC 60598-2-674, IEC 60598-2-675, IEC 60598-2-676, IEC 60598-2-677, IEC 60598-2-678, IEC 60598-2-679, IEC 60598-2-680, IEC 60598-2-681, IEC 60598-2-682, IEC 60598-2-683, IEC 60598-2-684, IEC 60598-2-685, IEC 60598-2-686, IEC 60598-2-687, IEC 60598-2-688, IEC 60598-2-689, IEC 60598-2-690, IEC 60598-2-691, IEC 60598-2-692, IEC 60598-2-693, IEC 60598-2-694, IEC 60598-2-695, IEC 60598-2-696, IEC 60598-2-697, IEC 60598-2-698, IEC 60598-2-699, IEC 60598-2-700, IEC 60598-2-701, IEC 60598-2-702, IEC 60598-2-703, IEC 60598-2-704, IEC 60598-2-705, IEC 60598-2-706, IEC 60598-2-707, IEC 60598-2-708, IEC 60598-2-709, IEC 60598-2-710, IEC 60598-2-711, IEC 60598-2-712, IEC 60598-2-713, IEC 60598-2-714, IEC 60598-2-715, IEC 60598-2-716, IEC 60598-2-717, IEC 60598-2-718, IEC 60598

MECHANIQ SQUARE COMFORT DOUBLE TRIMLESS

A35034-

PROJECT	_____
TYPE	_____
SPECIFIER	_____
QUANTITY	_____
DATE	_____



A

MECHANIQ SQUARE COMFORT COLOR FINISH CHART

PROJECT _____
 TYPE _____
 SPECIFIER _____
 QUANTITY _____
 DATE _____

Fixture Finish

Sparkling Silver - 01 (SSR)



Black Velvet - 02 (BKV)



Crystal White - 03 (CWI)



Creamy - 04 (CRY)



Hampton Bay - 05 (HAB)



Lagoon - 06 (LAG)



Urban Forest - 07 (UFT)



In the Army - 08 (ITA)



Rusty Angel - 09 (RUA)



Rusty Rush - 10 (RUR)



Milk and Chocolate - 11 (MIC)



Fade to Gray - 12 (FTG)



Mysterious Gray - 13 (MYG)



Twilight - 14 (TWT)



Lost Dream - 15 (LOD)



Purple Sky - 16 (PUS)



Fresh Oh - 17 (FRO)



Funky P. - 18 (FUP)



Kissing Aphrodite - 19 (KIA)



Poseidon's Paradise - 20 (POP)



Blue Sky - 21 (BLS)



Spring Green - 22 (SPG)



Mellow Yellow - 23 (MEY)



Golden Heart - 24 (GOH)



Gun Metal - 25 (GUM)



Champagne Cream - 26 (CHC)



Copper Mine - 27 (COM)



Ancient Bronze - 28 (ABZ)



Jazz Gold - 29 (JAG)



Olive Breeze - 30 (OBR)



Moonlight Silver - 31 (MOS)



Rosewood Red - 32 (ROR)



Digital: Not all screens are calibrated the same, and therefore, colors will appear differently between devices.
Physical: When texture is involved, there will be variations in color, character and tone within a product and between product families.



Gun Metal: No Gun Metal finish is alike. It combines a mixture of transparent and black color particles to ensure a highly individual effect and no luminaire being identical.
Champagne Cream, Copper Mine, Ancient Bronze, Jazz Gold: These finishes have slight fading from specific powder coating production. Each luminaire will slightly vary.

LEGEND

	floor-mounted		pivotal		special LED (upon request) RGB, RGBW, tunable, gold+, meat+, art+, fashion+
	wall and ceiling: recessed and surface mounted		rotating		warm dim / natural dimming LED
	ceiling-mounted and wall-mounted		illuminate tilted		rechargeable battery powered
	wall-mounted		color of suspension cable		fixture with natural vivid LED (upon request)
	omni-directional light distribution		length of suspension cable		color rendering index
	direct light distribution		reflector degree selection		color temperature
	direct/indirect light distribution		super spot		lumen (luminous flux)
	indirect light distribution		lens		efficacy (lumens per watt)
	asymmetric light distribution		lens pack		Unified Glare Rating (UGR) range from 5-40
	aura light distribution		shine ring		marine grade (AISI 316 stainless steel)
	round wall or ceiling cut-out		integrated shine ring with diffuser		walk on
	square wall or ceiling cut-out		free individual colors 01-29		drive on
	the supplied jig specifies the cutout dimensions		individual colors: 00 (free of charge), 01-25 (extra charge)		Dark Sky Compliance
	minimum distance (meters) lamp - object		luminaire part to be colored (F1)		Americans with Disabilities Act (less than 4" off the wall located between 27"-84" from floor)
	recessed depth		luminaire part to be colored (F2)		lamp protected against explosion
	ceiling thickness in mm		luminaire part to be colored (F3)		blown glass using traditional methods by master glass blower
	ceiling thickness selection		luminaire part to be colored (F4)		acoustic material
	dimnable DP (phase), DV (0-10V), DD (dali), DS (step-dim)		luminaire part to be colored (F5)		protection class I, protection insulation
	included or excluded LED driver/transformer/control gear		color of 3-circuit adaptor		protection class II, protection insulation
	separately switchable		indirect diffuser		ETL Certified to UL and CSA Standards
	sensor		direct diffuser		UL Certified to UL and CSA Standards
	remote control		ball-proof (upon request)		CSA Certified to UL and CSA Standards
	available upon request		accessory		Certified for North American Standards

IP RATING

	protected against ingress of solid bodies greater than 12.5mm (finger)
	protected against ingress of solid bodies greater than 2.5mm protected against sprays of water up to 60 degrees from the vertical (rain)
	protected against ingress of solid bodies greater than 1mm (wire) no protection against the ingress of moisture
	protected against ingress of solid bodies greater than 1mm (wire) protected against sprays of water up to 60 degrees from the vertical (rain)
	protected against ingress of solid bodies greater than 1mm (wire) protected against water splashed from all directions
	protected against limited ingress of dust (wet rooms/covered outdoor areas) protected against water splashed from all directions
	protected against ingress of dust protected against jets of water
	protected against ingress of dust protected against powerful jets of water or heavy seas
	protected against ingress of dust protected against immersion of water between 15cm - 1m for 30 minutes
	protected against ingress of dust protected against immersion of water under pressure for long periods

IK RATING

	protected against 0.14 joules impact (equivalent to 0.25kg mass dropped from 56mm above the surface)
	protected against 0.2 joules impact (equivalent to 0.25kg mass dropped from 80mm above the surface)
	protected against 0.35 joules impact (equivalent to 0.25kg mass dropped from 140mm above the surface)
	protected against 0.5 joules impact (equivalent to 0.25kg mass dropped from 200mm above the surface)
	protected against 0.7 joules impact (equivalent to 0.25kg mass dropped from 280mm above the surface)
	protected against 1 joules impact (equivalent to 0.25kg mass dropped from 400mm above the surface)
	protected against 2 joules impact (equivalent to 0.5kg mass dropped from 400mm above the surface)
	protected against 5 joules impact (equivalent to 1.7kg mass dropped from 300mm above the surface)
	protected against 10 joules impact (equivalent to 5.0kg mass dropped from 200mm above the surface)
	protected against 20 joules impact (equivalent to 5.0kg mass dropped from 400mm above the surface)